



Main Features:-

- ◆ Butterfly valve wafer type
- ◆ DN50 to DN200, PN10
- ◆ Disc made of Stainless Steel 1.4408
- ◆ Working Temperature -25 to +180C *
- ◆ PTFE body seat on EPDM backseat

*Temperature and pressure determined by valve body, seat etc.

Suitable Applications & Approvals:



HVAC



OIL



GAS



INDUSTRY

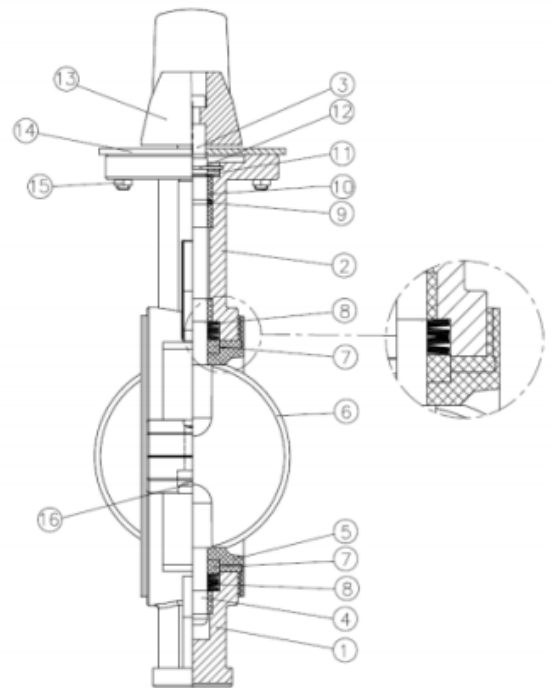


SERIES: 80100

MANUFACTURER: **GENEBRE**

VALVE MATERIALS

ITEM	SECTION	MATERIAL	ADDITIONAL INFO
1	Downside Body	Ductile Iron	Epoxy
2	Upside Body	Ductile Iron	Epoxy
3	Upside Stem	AISI 316	-
4	Downside Stem	AISI 316	-
5	Seat	PTFE+EPDM	Spare Part Number ET2101
6	Disc	SS 1.4408	Polished
7	Hub	Nylon	-
8	Spring Washer	Steel	Dacromet
9	O'Ring	FKM	-
10	Bush	RPTFE	-
11	Washer	Steel	Galvanized
12	Seeger Ring	Steel	Galvanized
13	Handle	Aluminium	Epoxy
14	Plate	Steel	Galvanized
15	Screw Nut	Steel	Galvanized
16	Screw	Steel	Galvanized



Genebre

Genebre is a leading company and world reference in fluid control and high-quality taps. They control all the creation processes, responding to the specific needs of each market: from the initial concept and design of the product to the production and commercialization.

In the Industrial line of Genebre products you will find a wide range of industrial valves and their accessories, sanitary line valves, automated valves and control valves, stainless steel fittings, different elements for industrial instrumentation and all spare parts for valves sphere.



T +44 (0)1386 552369

E sales@allvalves.co.uk

W www.allvalves.co.uk

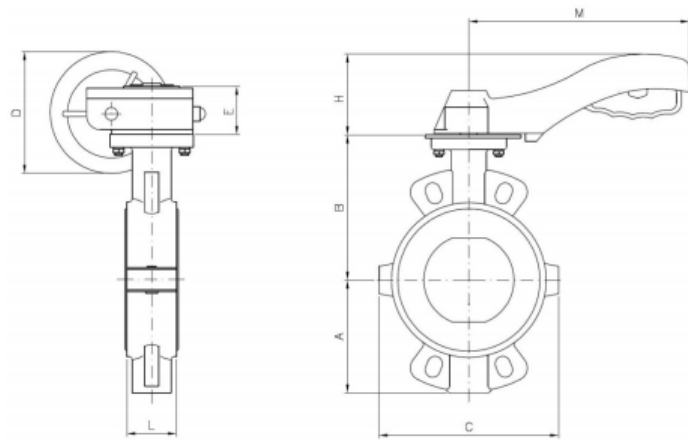
F +44 (0)1386 554227



Genebre are a global brand of industrial valves with large stocks held for fast delivery on various type of valves, sizes, end connections and materials.

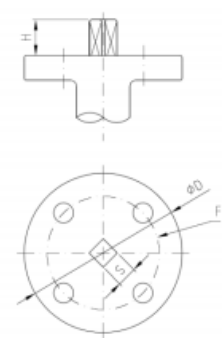
SERIES: 80100

REF	SIZE	DN	PN	L	A	B	C	D	E	H	M	Kg
80100-09	2"	50	10	43	80	140	119	-	-	65	172	2.9
80100-10	2 1/2"	65	10	46	89	150	131	-	-	65	172	3.18
80100-11	3"	80	10	46	95	158	145	-	-	65	172	3.55
80100-12	4"	100	10	52	114	176	180	-	-	78	216	5.53
80100-13	5"	125	10	56	127	190	202	-	-	78	216	6.875
80100-14	6"	150	10	56	139	210	230	150	72	-	-	8.25
80100-16	8"	200	10	60	175	236	295	300	85	-	-	17.4



DIMENSIONS

REF	ISO	S	D	H	Torque Nm
80100-09	F05	11	70	26	20
80100-10	F05	11	70	26	25
80100-11	F05	11	70	26	30
80100-12	F07	14	90	29	60
80100-13	F07	14	90	29	100
80100-14	F07	14	90	32	180
80100-16	F10	17	125	38	300



DN	Disc Position (degrees) Kv Values								
	90°	80°	70°	60°	50°	40°	30°	20°	10°
50	125	99	73	63	37	23	14	6	1
65	244	193	141	93	58	37	21	10	1
80	399	315	231	133	83	53	30	13	2
100	727	606	429	237	148	94	54	23	3
125	1190	991	670	370	232	147	85	37	4
150	1600	1334	887	490	306	195	112	48	5
200	2868	2458	1610	935	588	364	208	88	10



T +44 (0)1386 552369
E sales@allvalves.co.uk

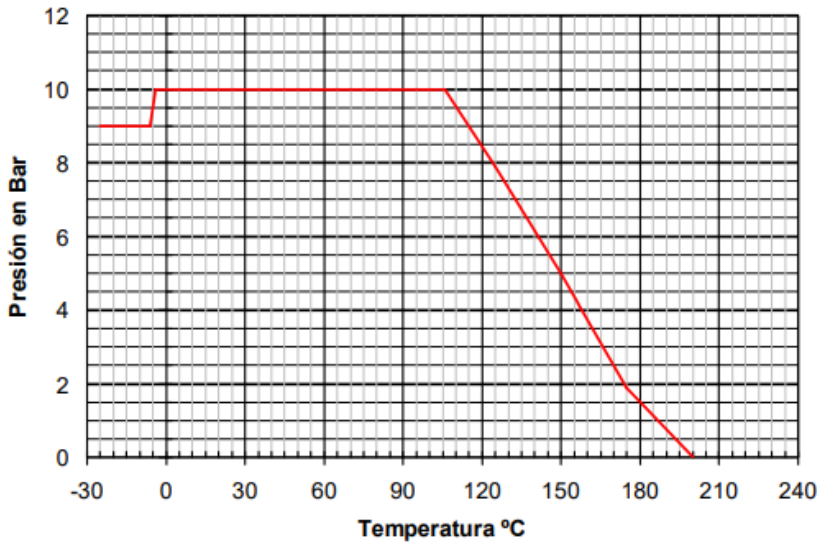
W www.allvalves.co.uk
F +44 (0)1386 554227



Genebre are a global brand of industrial valves with large stocks held for fast delivery on various type of valves, sizes, end connections and materials.

SERIES: 80100

Pressure Temperature Rating



Pressure Temperature Rating



T +44 (0)1386 552369

E sales@allvalves.co.uk

W www.allvalves.co.uk

F +44 (0)1386 554227